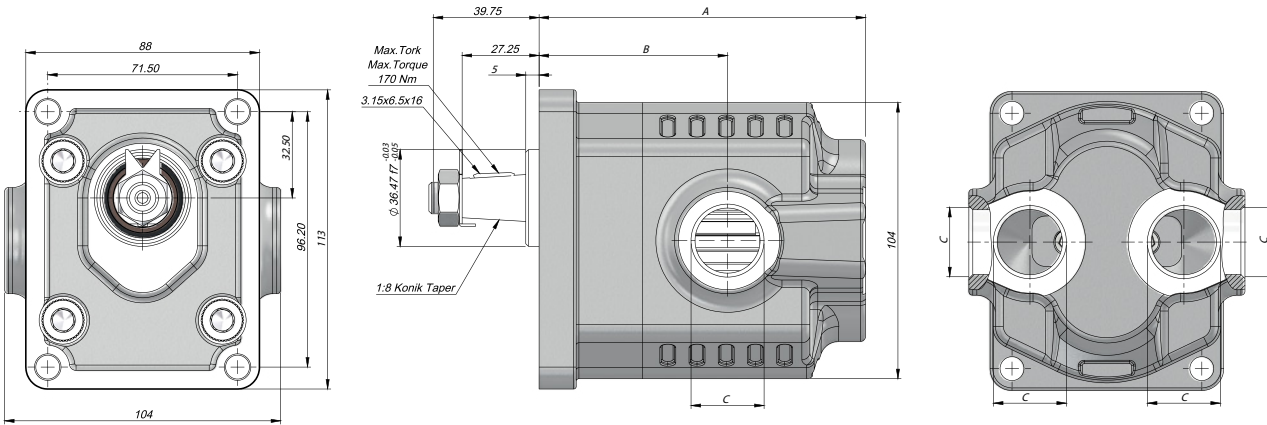


# 20 SERIE GEAR PUMP K KEYED BI-ROTATIONAL

## 20 SERİ DİŞLİ POMPA K KAMALI ÇİFT YÖNLÜ



Inlet Pressure		0.3 ÷ 2 bar	
Operating Viscosity		-12:100 cSt	
Fluid Temperature		-40 °C+145 °C	
Working Pressure	Contamination NAS 1638	ISO 4406	Filtre $\beta_x=75$
	$\geq 200$ bar	11	20/17
$\leq 200$ bar	12	21/18	25 $\mu$ m
			40 $\mu$ m



Code	Displacement	Max. Continuous Pressure	Min. Speed	Max. Continuous Speed	A	B	Inlet	Outlet
	(cm <sup>3</sup> /rev)	(100%) (BAR)	(RPM)	(RPM)	(mm)	(mm)	C	C
20-UNI								
32000661	6	280	300	2300	93	96	G 1/2"	G 1/2"
32001061	10				99	65		
32001661	16				109	65		
32002061	20				115	69		
32002561	25	220			123	71		
32003261	32	190		2100	134	82	G 3/4"	G 3/4"
32004061	40	180		1900	147	95		